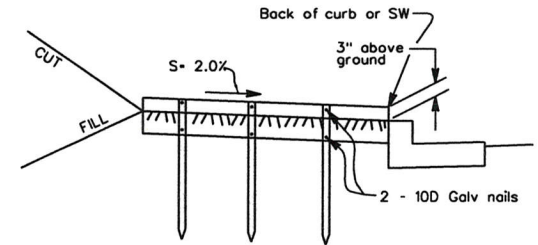
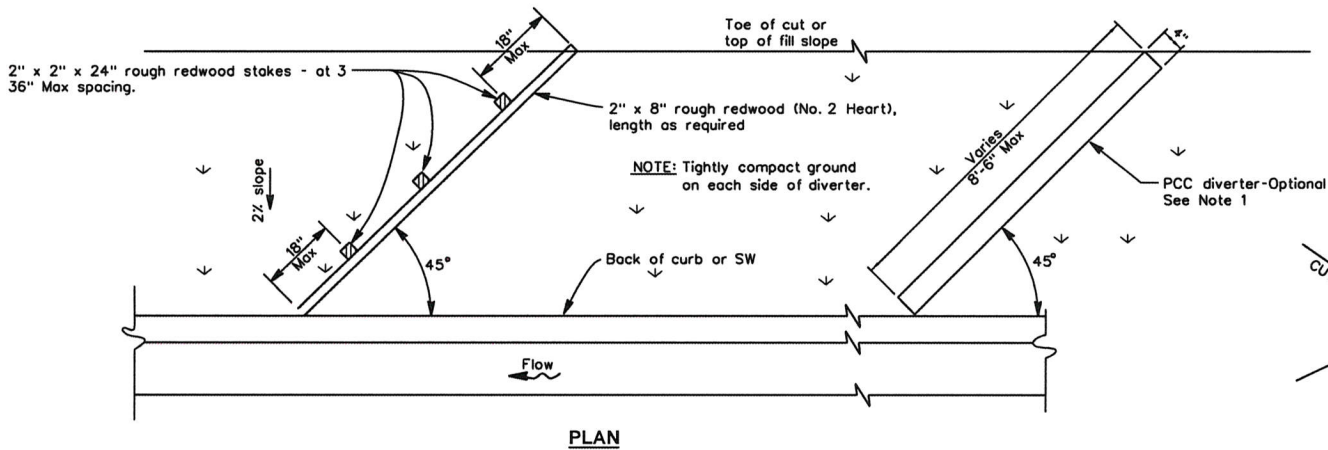


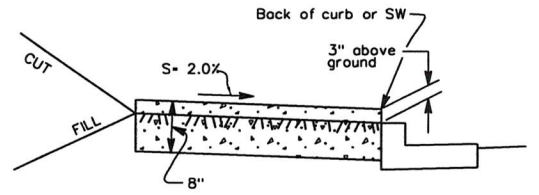
*Julia R. Gueren*  
 PUBLIC WORKS DIRECTOR  
 March 11, 2014  
 PLANS APPROVAL DATE

REGISTERED PROFESSIONAL ENGINEER  
 JULIA R. GUEREN  
 No. 37937  
 CIVIL  
 STATE OF CALIFORNIA

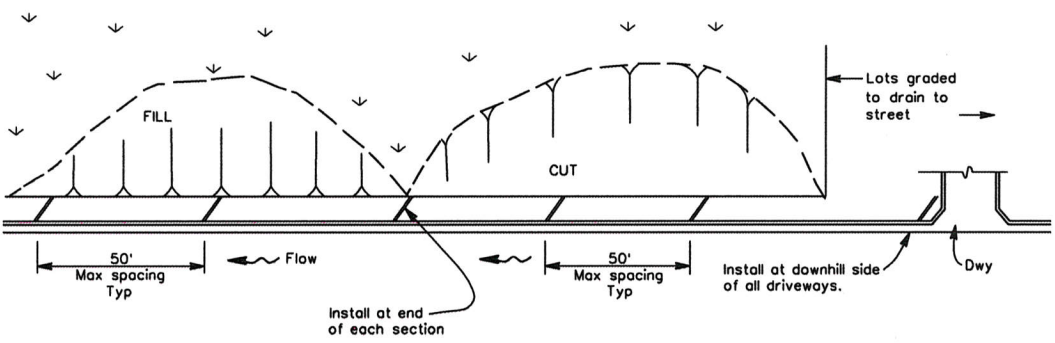
The County of Contra Costa or its officers or agents shall not be responsible for the accuracy or completeness of electronic copies of this plan sheet.



**ELEVATION**  
Redwood Diverter



**ELEVATION**  
4"x8" Concrete Diverter



**DIVERTER LAYOUT PLAN**  
 INSTALL ON STREETS WHERE GRADIENT ≥ 5%

- NOTES:**
- Concrete shall contain not less than 590 lbs of cementitious material per cubic yard in conformance with Section 90, "Concrete," of California Department of Transportation's Standard Specifications.

COUNTY OF CONTRA COSTA  
 PUBLIC WORKS DEPARTMENT  
 MARTINEZ, CALIFORNIA  
 STANDARD PLAN

**BACK OF CURB  
 FLOW DIVERTER**

SCALE: NO SCALE DATE: 3/14  
 DRAWN BY: H. HUSSEY PLAN NO. CD04  
 CHECKED BY: M. HOLLINGSWORTH

NO.	DATE	REVISION	DESCRIPTION	BY