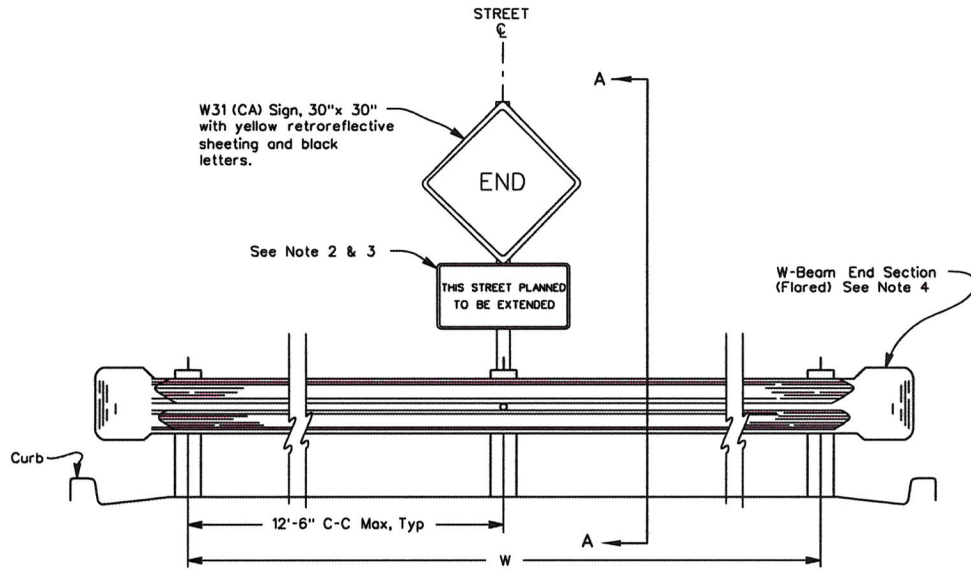


Julia R. Bueren
 PUBLIC WORKS DIRECTOR
 March 11, 2014
 PLANS APPROVAL DATE

REGISTERED PROFESSIONAL ENGINEER
 JULIA R. BUEREN
 No. 37937
 CIVIL
 STATE OF CALIFORNIA

The County of Contra Costa or its officers or agents shall not be responsible for the accuracy or completeness of electronic copies of this plan sheet.

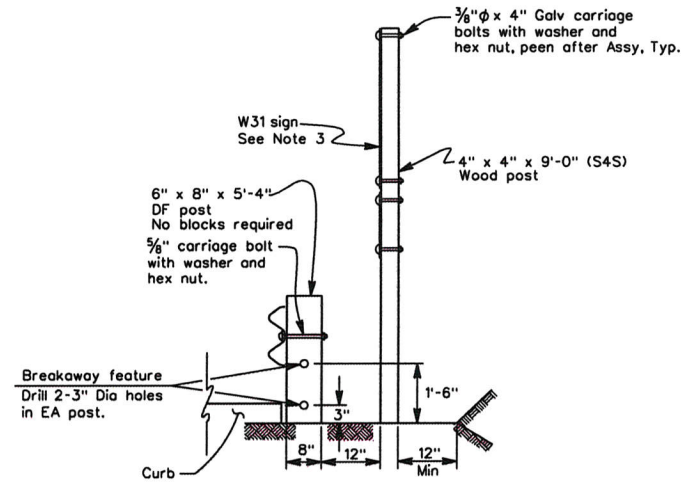


STREET BARRICADE

ROAD WIDTH(ft)	W(ft)	NO. POSTS
32 and 36	25	3
40	37.5	4
64	50	5

NOTES:

1. Sign, metal beam guardrail, and barricade wood posts shall conform to the current California Department of Transportation Standard Specifications and Standard Plans, except as shown on this plan.
2. All subdivision streets that are stubbed out for future use shall have a sign posted at the end of the dead end street that reads "THIS STREET PLANNED TO BE EXTENDED". The sign shall be retroreflective with black 2" capital series "E" letters on a white background and measure 18" high by 36" wide.
3. All signs shall be installed as per Standard Plan CRS1.
4. End section shall be W-Beam rail end section, Trinity Highway Safety Products, Model 901G or equivalent.



SECTION A-A

COUNTY OF CONTRA COSTA
 PUBLIC WORKS DEPARTMENT
 MARTINEZ, CALIFORNIA
 STANDARD PLAN

STREET BARRICADE

NO.	DATE	REVISION DESCRIPTION	BY	SCALE: NO SCALE	DATE: 3/14
				DRAWN BY: H. HUSSEY	PLAN NO. CA30
				CHECKED BY: M. HOLLINGSWORTH	

STD. PLAN CA30